



PanaFlow Gas Meter System

Panometrics Ultrasonic Flow Meters for Gas

The PanaFlow Gas Meter System is a complete ultrasonic flow meter offering for gas applications with a unique combination of accuracy, rangeability, and reliability in a robust meter design.

The PanaFlow Gas Meter System consists of two models—the one-path PanaFlow Z1G and the two-path PanaFlow Z2G. Both meters offer a high-performance, yet affordable solution for a variety of gas flow applications.

Applications

PanaFlow Gas flow meters can be used in applications such as:

- Biogas
- Natural gas production
- Vent gas
- Waste gas
- Shale gas
- Coal-seam gas wellhead
- Vapor recovery
- Fuel gas
- Compressed air



Features and Benefits

No drifting, no periodic calibration required		No loss of process control, no downtime, no expense from calibration, and optimization of assets.
No pressure drop		No wasted energy from running a pump or need to purchase a larger size pump
No restriction in the pipe		Contamination will not affect meter's measurement (drifting) or cause any damage to the meter
No filters or strainers		No maintenance cost
Bi-directional measurement		No additional meters required
No moving parts		No loss of process control, no downtime, no expense from calibration, and optimization of assets.
Explosion-proof transducer design		More power to transducers at higher voltages, less risk of attenuation in fluid
Full ultrasonic product line		Meets more needs with full product portfolio; one source for all ultrasonic gas flow meters
Integrated pressure and temperature sensors		No additional sensors required. Complete solution to provide full volumetric and mass flow, pressure and temperature measurement

Reliable Flow Measurement that is Easy on Your Budget

The PanaFlow Gas portfolio represents a new generation of Panametrics ultrasonic flow meters. Offered in one-path or two-path wetted versions, PanaFlow Gas meters bring together Panametrics ultrasonic expertise with the benefits of ultrasonic technology for affordable, high performance flow measurement.

Unlike other flow measurement technologies, PanaFlow meters do not require maintenance since they do not have any obstruction in the flow path to clog the process line or moving parts to be damaged by flowing gas. They provide years of trouble-free operation with no adjustments, tuning or corrections. PanaFlow Gas meters provide a lower overall total cost of ownership, superb reliability, and excellent performance.

Designed for High Impurity Gas Measurements

Each PanaFlow Gas meter is a complete ultrasonic flow metering system specifically designed for the measurement of gases with high levels of impurities. Engineered to the highest levels of reliability and dependability, it is designed with an all-cast meter body and high-accuracy machined surfaces. It has no welds to adversely impact flow dynamics, making possible high accuracy flow measurements, even at low flow conditions.

Local or Remote Electronics

PanaFlow Gas meters are offered with local or remote electronics that are factory-installed on the meter body or electronics that can be installed remotely from the meter body. It is not recommended to locally mount the electronics in applications above 185°F (85°C). PanaFlow Gas meters have robust electronics functionality to meet your application needs.

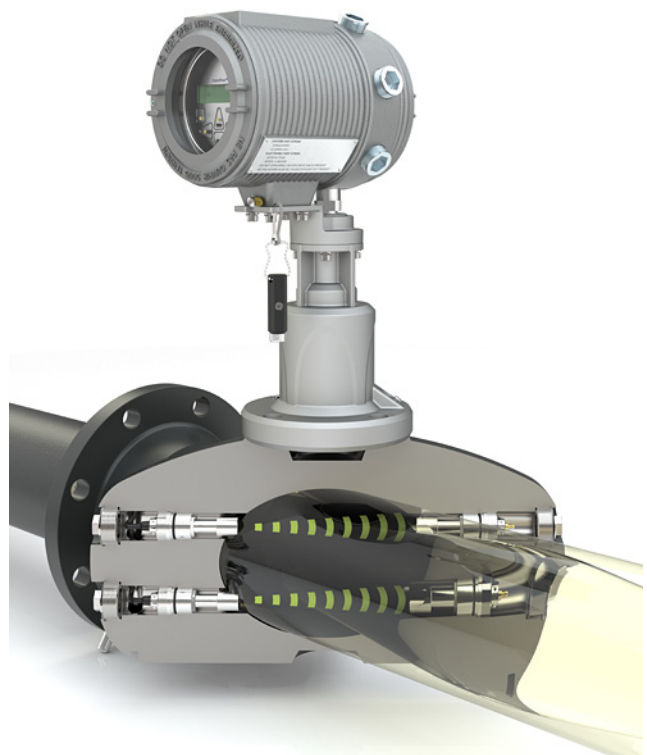
Electronics ordered with PanaFlow Gas meters are programmed with setup information based on your application, so the system is ready to use as soon as the meter body is installed. When local electronics are integrated with the system, the transducer wiring is already complete, further simplifying the field installation. When remote electronics are used, transducer cabling must be run between the flow meter system and the flow meter electronics.

Transit-Time Flow Measurement

In this method, two transducers serve as both ultrasonic signal generators and receivers. They are in acoustic communication with each other, meaning the second transducer can receive ultrasonic signals transmitted by the first transducer and vice versa.

In operation, each transducer functions as a transmitter, generating a certain number of acoustic pulses, and then as a receiver for an identical number of pulses. The time interval between transmission and reception of the ultrasonic signals is measured in both directions. When the gas in the pipe is not flowing, the transit-time downstream equals the transit-time upstream. However, when the gas is flowing, the transit-time downstream is less than the transit-time upstream.

The difference between the downstream and upstream transit times is proportional to the velocity of the flowing gas, and its sign indicates the direction of flow.



Transit time flow measurement

Proven Technology with Improved Sound Isolation

A PanaFlow Gas Meter System employs similar robust and reliable transducer technology used in thousands of Panametrics flare gas applications around the world. Ultra-high power transducers with enhanced sound isolation are designed for conditions of extreme condensate and impurities, and for continuous operation even under the harshest of process conditions.

The unique design ensures the highest field reliability for continuous flow measurements over a wide range of conditions.



High powered T18-B transducers

Fast and Easy Installation

An integrated PanaFlow Gas Meter System is fast and easy to install as all components are already installed in the meter body. The system is factory assembled and tested so it meets strict quality control standards.

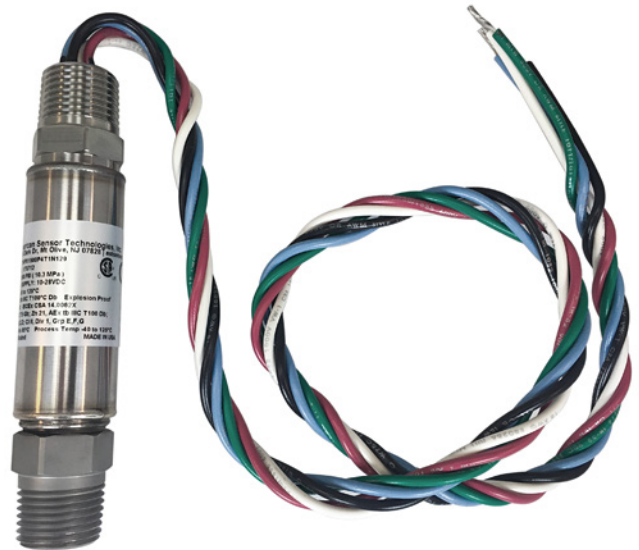
A PanaFlow meter body is composed of a length of pipe with flanged ends and transducer ports rated to the application's pressure requirements, so all the user needs to do is bolt the end flanges into place in the process pipeline.

Integrated Pressure and Temperature Measurement

PanaFlow Gas Meter Systems offer the option of integrated pressure and temperature sensors within the flow meter system. Together with the flow measurement, the integrated system provides standard volumetric flow, mass flow, pressure and temperature measurement using a single meter.

External pressure and temperature transmitters can be connected to the PanaFlow electronics to calculate standard volumetric or mass flow. However, PanaFlow meters have embedded pressure and temperature sensors at the point of measurement to reduce the potential uncertainty that may be introduced by varying process conditions.

PanaFlow Gas meters have the potential to measure velocity, temperature, and pressure at the same location, which provides more accurate process measurement.



Optional combined pressure and temperature sensor

Performance Specifications

Model	Z1G	Z2G
Number of Paths	One Path	Two Path
Flow Measurement Range (+/-)		
2" (50mm)	0.5 to 250 ft/s (0.15 to 76 m/s)	0.5 to 250 ft/s (0.15 to 76 m/s)
3" (80mm)	0.5 to 250 ft/s (0.15 to 76 m/s)	0.5 to 250 ft/s (0.15 to 76 m/s)
4" (100mm)	0.5 to 250 ft/s (0.15 to 76 m/s)	0.5 to 250 ft/s (0.15 to 76 m/s)
6" (150mm)	0.5 to 250 ft/s (0.15 to 76 m/s)	0.5 to 250 ft/s (0.15 to 76 m/s)
8" (200mm)	0.5 to 200 ft/s (0.15 to 60 m/s)	0.5 to 210 ft/s (0.15 to 64 m/s)
10" (250mm)	0.5 to 170 ft/s (0.15 to 51 m/s)	0.5 to 180 ft/s (0.15 to 54 m/s)
12" (300 mm)	0.5 to 130 ft/s (0.15 to 39 m/s)	0.5 to 150 ft/s (0.15 to 45 m/s)
14" (350mm)	0.5 to 100 ft/s (0.15 to 30 m/s)	0.5 to 130 ft/s (0.15 to 39 m/s)
16" (400mm)	0.5 to 80 ft/s (0.15 to 24 m/s)	0.5 to 100 ft/s (0.15 to 30 m/s)
Meter Accuracy and Sensitivity - See Accuracy Notes below		
Flow Velocity Accuracy from 5 ft/s (1.5 m/s) to Qmax - Note1		
2" (50mm) to 16" (400mm)	+/- 1.5%	+/- 1.0%
Flow Velocity Sensitivity from 0.5 ft/s to 5 ft/s (0.15 to 1.5 m/s) - Note 1		
2" (50mm) to 16" (400mm)	+/- 0.075 ft/s (+/- 0.02 m/s)	+/- 0.05 ft/s (+/- 0.015 m/s)
Repeatability - Note 1		
2" (50mm) to 16" (400mm)	+/- 0.5% of reading	

Note 1:

Accuracy/repeatability specifications assume a final installation with fully developed flow profile (typically 20 diameters upstream and 10 diameters downstream of straight pipe run), Reynolds Number > 5000 and single phase fluids. Applications with piping arrangements that induce swirl (e.g., two out-of-plane elbows) may require additional straight run and/or flow conditioning. For shorter straight pipe runs, consult the factory for a computational flow dynamic evaluation.

Operation and Performance

Fluid Types

Acoustically conductive gases

Flow Measurement

Correlation Transit-Time

Meter Body Materials

Carbon steel, SA216 Gr. WCB
 Low temp carbon steel, SA352 Gr. LCB
 Stainless steel, SA351 Gr. CF8M
 Duplex stainless steel, SA995 Gr. CD3MWCuN

Flange Ratings

ASME: 150 lb, 300 lb or 600 lb
 DIN: PN10, PN16, PN25; PN40 or PN63

Meter Body Certifications

PED Cat III, Module B+C2
 CRN (All Canadian Provinces)
 NACE MR01-75/MR-01-03

Calibration

All meters are air calibrated and supplied with a calibration certificate from an accredited laboratory.

Measurement Parameters

Mass flow, standard and actual flow, totalized flow, and flow velocity

Enclosure

NEMA Type 4X explosion-proof and weatherproof (IP66)

Standard: Epoxy-coated aluminum

Optional: Stainless steel

Electronics Mounting

Local or remote mounting

Hazardous Area Certification

US/CAN: Class 1, Div. 1 Group B,C,D
 ATEX: II 2 G Ex db IIB+H2 T6 ...150°C Gb
 IECEx: Ex db IIB+H2 T6 ... 150°C Gb

Input Power

Standard: 85 to 250V AC, 50/60 Hz

Optional: 12 to 28 VDC, ±5%

Cable Entries

3/4" NPT

M20 adapters

Display Languages

English

Display

Optional: 2 line x 16 character backlit LCD display, configurable to display up to four measurement parameters in sequence

Keypad

Built-in infrared, six-button keypad for full functionality operation

Power Consumption

20 W maximum

Process Temperature Range

-40 to 302°F (-40 to 150°C)

Note: -40 to 257°F (-40 to 125°C) range when used with pressure and temperature sensor option.

Ambient Temperature Range

-40 to 140°F (-40 to 60°C) US/CAN

-4° to 140°F (-20 to +60°C) ATEX/IECEX

Storage Temperature

-40 to +185°F (-40 to +85°C)

Pressure Range

Up to maximum allowable flange operating pressure at temperature per ASME B16.5 or EN1092-1

Inputs/Outputs

Standard:

- Two 4-20 mA isolated outputs: 600 Ω maximum load
- Two 4-20 mA inputs: pressure and temperature

Optional:

- Two pulse or frequency outputs: optically isolated, 3 A maximum, 100 VDC maximum, 1 W maximum, from DC to 10 kHz maximum
- Two alarm relays: 120 VAC, 28 VDC maximum, 5 A maximum, DC 30 W maximum, AC 60 VA maximum

Digital Communication

Standard: RS485

Optional: HART®

Optional: Modbus®

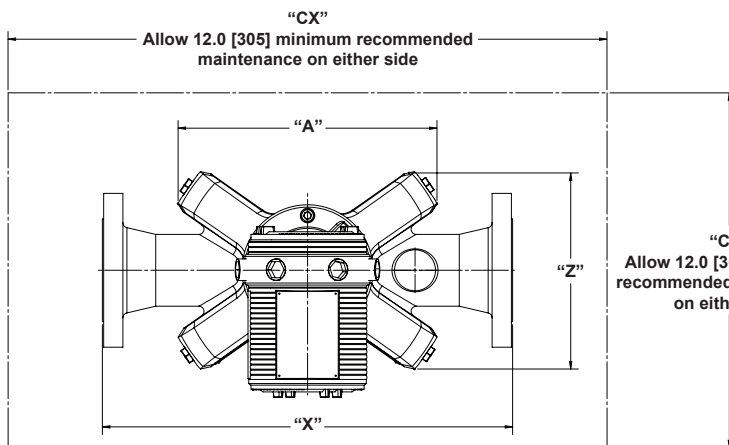
Optional: Foundation Fieldbus®

Weights and Dimensions

Example Dimensions - 3" [80 mm] Flowcell (see below)										
Flange Rating	A	C	D	X	Y	Z	CX	CY	CZ	Approx. Weight
ASME 150# RF	12.7 [322]	19.0 [481]	7.5 [190]	20.0 [508]	22.7 [576]	9.8 [247]	44.0 [1117]	34.7 [881]	33.8 [857]	66.7 kg
ASME 300# RF	12.7 [322]	19.0 [481]	8.3 [209]	20.0 [508]	23.1 [586]	9.8 [247]	44.0 [1117]	35.1 [890]	33.8 [857]	70.7 kg
ASME 600# RF	12.7 [322]	19.0 [481]	8.3 [209]	20.0 [508]	23.1 [586]	9.8 [247]	44.0 [1117]	35.1 [890]	33.8 [857]	72.9 kg

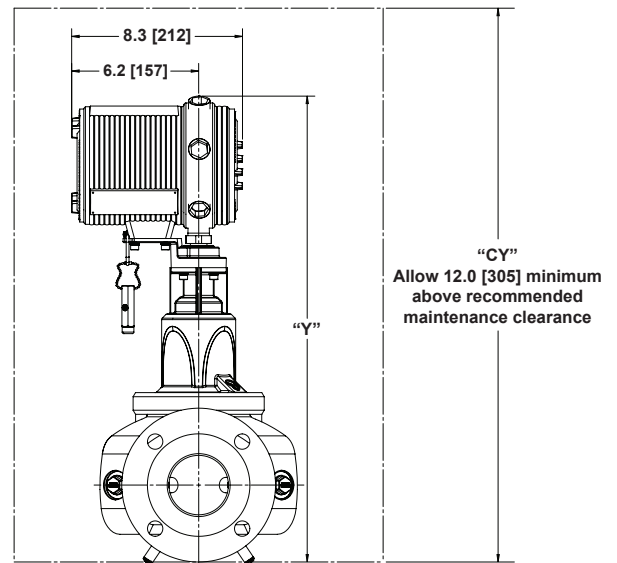
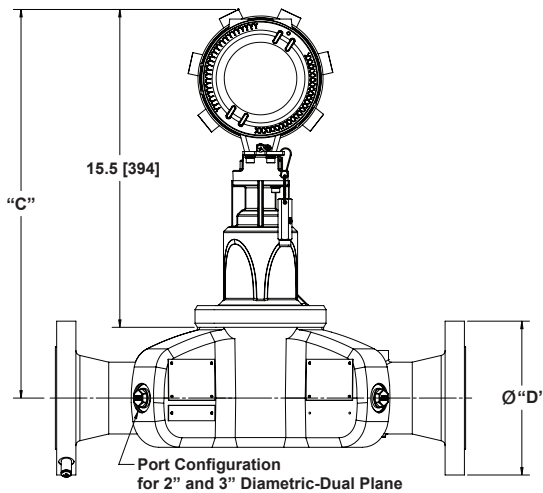
Refer to the drawings below for weights and dimensions for all line sizes.

Reference Drawings	
Drawing Number	Drawing Description
712-2158	General arrangement drawing, PanaFlow Gas, Local Mount
712-2160	General arrangement drawing, PanaFlow Gas, Remote Mount



Notes: A 3" two-path flowcell is shown as an example. See the drawings listed above for details on other sizes.

All dimensions are inches [mm]



PanaFlow Gas Meter System Part Number

A - B - C D E F G H - I - J - K L M N O - P - Q - R - Z	
Model:	PF8M PANAFLOW GAS ULTRASONIC FLOW METER SYSTEM
B: PATH:	-Z1G SINGLE PATH METER BODY -Z2G DUAL PATH METER BODY
C: METER BODY SIZE:	-02 2 in. (50 mm) METER BODY -03 3 in. (80 mm) METER BODY -04 4 in. (100 mm) METER BODY -06 6 in. (150 mm) METER BODY -08 8 in. (200 mm) METER BODY -10 10 in. (250 mm) METER BODY -12 12 in. (300 mm) METER BODY -14 14 in. (350 mm) METER BODY -16 16 in. (400 mm) METER BODY
D: PROCESS FLANGE RATING:	1 ASME 150# RF (WN) 2 ASME 300# RF (WN) 3 ASME 600# RF (WN) E EN 1092-1/PN 10 (WN/Type 11) F EN 1092-1/PN 16 (WN/Type 11) G EN 1092-1/PN 25 (WN/Type 11) H EN 1092-1/PN 40 (WN/Type 11) J EN 1092-1/PN 63 (WN/Type 11)
E: METER BODY MATERIAL:	CS CARBON STEEL (SA-216 GR. WCB) LC LOW TEMP. CARBON STEEL (SA-352 GR. LCB) S6 316 STAINLESS STEEL (SA-351 GR. CF8M) SD DUPLEX STAINLESS STEEL (SA-995 GR. CD3MWCuN)
F: METER BODY SCHEDULE:	4 SCHEDULE STD 5 SCHEDULE 40 7 SCHEDULE XS 8 SCHEDULE 80 F SCHEDULE 10S G SCHEDULE 40S H SCHEDULE 80S
G: PAINTING:	1 NO PAINT (SS & DSS METER BODY ONLY) 2 STANDARD PAINTING
H: SYSTEM DESIGN:	1 ASME B31.3, PED & NACE MR0175/MR0103 2 ASME B31.3, CRN & NACE MR0175/MR0103 3 ASME B31.3 & NACE MR0175/MR0103
I: PRESSURE & TEMPERATURE SENSOR:	-0 PT SENSOR NOT INCLUDED -1 EXTERNAL (-40°C to 85°C) -2 EXTERNAL (-40°C to 125°C)
J: ELECTRONICS MOUNTING:	-L LOCAL MOUNTED ELECTRONICS (-40°C to 85°C) -R25 REMOTE MOUNTED ELECTRONICS WITH 25 FT REMOTE CABLE (-40°C to 150°C) -R50 REMOTE MOUNTED ELECTRONICS WITH 50 FT REMOTE CABLE (-40°C to 150°C) -R100 REMOTE MOUNTED ELECTRONICS WITH 100 FT REMOTE CABLE (-40°C to 150°C) -R150 REMOTE MOUNTED ELECTRONICS WITH 150 FT REMOTE CABLE (-40°C to 150°C)
K: ELECTRONICS ENCLOSURE:	-1 TYPE 7/ TYPE 4X EXPLOSIONPROOF AND WEATHERPROOF (IP66) EPOXY COATED ALUMINUM ENCLOSURE -2 TYPE 7/ TYPE 4X EXPLOSIONPROOF AND WEATHERPROOF (IP66) 316 SS ENCLOSURE
L: POWER SUPPLY:	1 85-250V AC, 50/60 Hz INPUT POWER 2 12-28 VDC INPUT POWER
M: DIGITAL COMMUNICATION:	2 MODBUS DIGITAL OUTPUT 3 HART 4 FOUNDATION FIELDBUS

(continued on next page)

PanaFlow Gas Meter System Part Number (cont.)

A - B - C D E F G H - I - J - K L M N O - P - Q - R - Z													
N: ADDITIONAL I/O:													
O NO ADDITIONAL I/O'S													
F 2 FREQUENCY OUTPUTS													
T 2 TOTALIZER OUTPUTS													
A 2 STANDARD ALARMS													
O: CABLE ENTRIES:													
1 STANDARD 3/4" NPT (FEMALE)													
2 M20 (FEMALE)													
P: CALIBRATION													
-1 6 POINTS AS FOUND, 3 POINTS AS LEFT													
Q: PREAMP:													
-00 NO PREAMP													
-02 2X GAIN PREAMP													
-10 10X GAIN PREAMP													
-20 20X GAIN PREAMP													
-40 40X GAIN PREAMP													
R: HAZARDOUS AREA CERTIFICATION:													
-1 US/CANADA CLASS 1, DIVISION 1, GROUP B,C,D T6 Ta = -40°C to +60°C TYPE4X/IP66													
ATEX CERT. FOR Ex db IIB+H2													
-2 T6...150°C Gb													
IP66 Ta = -20°C to +60°C													
IECEX CERT. FOR Ex db IIB+H2													
-3 T6...150°C Gb													
IP66 Ta = -20°C to +60°C													
Z: SPECIALS:													
-0 NONE													
-S SPECIAL													
(EXAMPLE PART NUMBER STRING)													
PF8M - Z1G - 06 1 CS 4 2 1 - 1 - 1 - 1 1 2 2 0 - 1 - 00 - 1 - 0													

bhge.com

© 2017 Baker Hughes, a GE company – All rights reserved.

Baker Hughes reserves the right to make changes in specifications and features shown herein, or discontinue the product described at any time without notice or obligation. Contact your BHGE representative for the most current information. The Baker Hughes logo is a trade mark of Baker Hughes, a GE company. The GE Monogram is a trademark of the General Electric Company.

920-677A